

Briton

9360

Electronic Push Button Lock



Features

The Briton 9360 is a medium duty, tubular latch, electronic push button lock intended for residential and commercial use. Particularly where a mechanical single code digital lock equivalent does not provide adequate functionality.

The outside knob is locked in place until unlocked. When a valid code is entered and the blue LED lights illuminate, the knob will retract the latch. When the door closes the spring latch will automatically lock the door.

Codes and functions can be programmed at the keypad using the Master Code. In addition, two remote connections can be wired to activate the lock from a reception desk, an intercom or in an emergency.

- Schlage 8mm square spindle tubular deadlatch
- Rapid retrofit for basic single code mechanical locks
- On door programming via Master Code in seconds
- Allows up to 80 User Codes (4,5 or 6 digits)
- Allows up to 10 One-Time User Codes
- Over 80,000 operations from 2 x AA cells (supplied)
- Non handed
- PVD weather resistant low maintenance finish
- Emergency key override
- Two alarm release terminals:
REM1 is used to open the lock remotely
REM2 can be linked to an alarm system
- Locks can be supplied as keyed alike on request
- Flat bar spindle with 8mm square adaptor
- Suitable for internal and external use

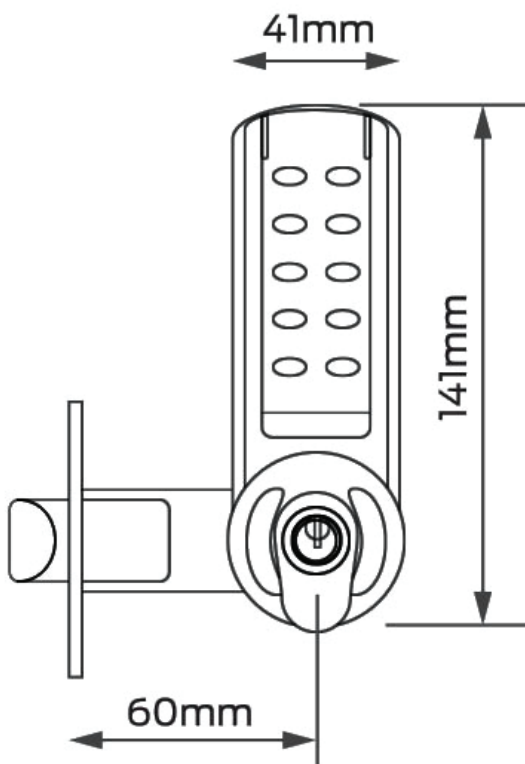
Specification guide

Model	
Briton 9360	BNT-9360

Finish	
Satin chrome plate*	SCP

* note: also referred to as brushed steel

1. Model
Select the desired model BNT-9360
2. Finish
Select the desired finish e.g. Satin chrome plate BNT-9360-SCP



Specifications

Door type	Timber, metal
Door thickness	35mm - 65mm
Handing	Non-handed
Latch	8mm square spindle Stainless steel deadlatch
Material	Zinc alloy body
Finish	Satin chrome plate
Warranty	Electronics: 2 years Mechanical & finish: 10 years